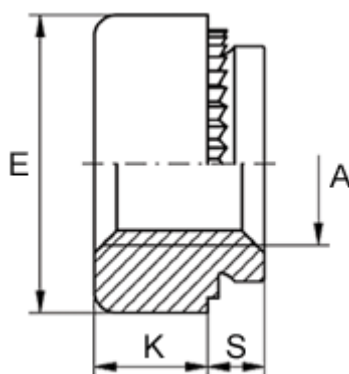


Article number: 12503000025700  
Description: KLEE-coil 503 000 025.700  
M2,5 Light-alloy metal

## Measures

---



|                                 |            |
|---------------------------------|------------|
| Female thread A                 | = M2,5     |
| Height K                        | = 2.0      |
| Max recess height               | = 2.0      |
| Min distance to edge            | = 3.0      |
| Outer diameter E                | = 6.0      |
| Plate thickness                 | = from 2.4 |
| Recommended bore diameter +0.05 | = 4.00     |